

ROLLING MASTER
SUSHI ROLL MACHINE
(TSM-900RS-R)

Instruction Manual



For correct and safe use of the machine,
read this instruction manual carefully before use.

Model/Type	SUSHI ROLL MACHINE (TSM-900RS-R)
Dimensions	W380×D600×H500(mm)
Power supply	AC100V~240V
Power consumption	120W
Weight	42kg

Xtop

⦿For the sake of safety, read the following carefully and make sure to follow the instructions:


●This explains the degree of risk in the case of improper handling, classified into

















▲ WARNING and ▲ CAUTION.



The symbols have the following meanings:


 Prohibit  Do not touch  Grounding  Follow the instructions




 Unplug  No disassembly


 Warning: Improper handling may result in death or severe injury.







<p>Do not pull the cord when unplugging the power supply plug.</p> <p>●It may break, causing a fire.</p> <p style="text-align: right;"> Prohibited</p>	<p>When you do not use the machine for a long time, make sure to unplug the power supply plug.</p> <p>●It may result in an electric shock, an electric leakage or a fire</p> <p style="text-align: right;"> Unplug</p>
<p>Do not damage the power supply cord.</p> <p>●Twisting, putting something on it, or inserting something in it may break it, causing an electric shock or a fire.</p> <p style="text-align: right;"> Do not damage</p>	<p>Remove all the removable parts from the main body and clean them.</p> <p>●It may cause an injury or an accident.</p> <p style="text-align: right;"> Removal</p>
<p>Do not use a damaged cord or an outlet with a loose plug insert.</p> <p>●It may cause an electric shock, short circuit or fire.</p> <p style="text-align: right;"> Use prohibited</p>	<p>Do not splash water on the main body other than removable parts.</p> <p>●It may cause an electric shock, a short circuit or fire.</p> <p style="text-align: right;"> Prohibited</p>
<p>Avoid installing in any moist or water-logged locations.</p> <p>●It may cause an electric shock, short circuit or fire.</p> <p style="text-align: right;"> Installation prohibited</p>	<p>Do not insert your hand or fingers into the hopper while operating.</p> <p>●Your hand or fingers may become caught causing an injury or an accident.</p> <p style="text-align: right;"> Prohibited</p>
<p>Grounding</p> <p>●Otherwise, it may cause an electric shock or an accident.</p> <p style="text-align: right;"> Grounding</p>	<p>Do not insert your hand into each roller portion during operation.</p> <p>●Your hand or fingers may become caught, causing an injury or an accident.</p> <p style="text-align: right;"> Prohibited</p>
<p>Do not disassemble or alter the machine.</p> <p>●It may cause an electric shock, fire or an injury.</p> <p style="text-align: right;"> No disassembly</p>	<p>Do not insert your hand or fingers into any rotating portion during operation.</p> <p>●Your hand or fingers may become caught, causing an injury or an accident.</p> <p style="text-align: right;"> Prohibited</p>
<p>Insert the power supply plug firmly into the base after removing dust.</p> <p>●It may cause fire or a fire.</p> <p style="text-align: right;"> Remove dust</p>	<p>Remove or mount the parts after turning OFF the power supply.</p> <p>●Your hand or fingers may become caught, causing an injury or an accident.</p> <p style="text-align: right;"> Turn OFF the power supply</p>
<p>As soon as you notice any gas leakage, open your windows without touching the main body or the power supply plug.</p> <p>●A spark from electric contact may cause an explosion or fire.</p> <p style="text-align: right;"> Ventilate</p>	<p>Prevent babies and children from touching it. It may cause an injury or an accident.</p> <p style="text-align: right;"> Do not touch</p>

<p>Under any abnormal conditions such as a burnt smell, immediately unplug the power supply plug and suspend operation.</p> <p>● Continuous operation under abnormal conditions may cause an electric shock or a fire.</p> <p style="text-align: right;"> Unplug</p>	<p>Do not put anything other than rice or vinegared rice into the hopper.</p> <p>● It may cause an injury or an accident.</p> <p style="text-align: right;"> Prohibited</p>
---	--

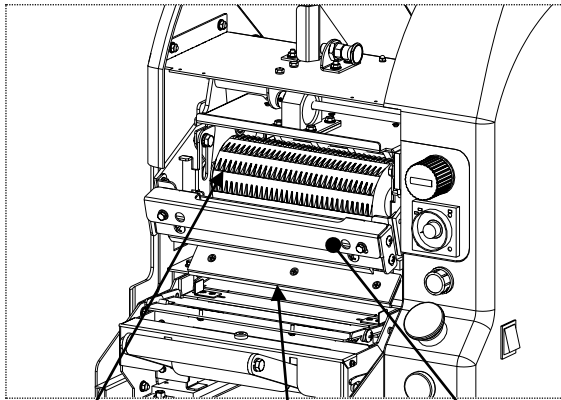
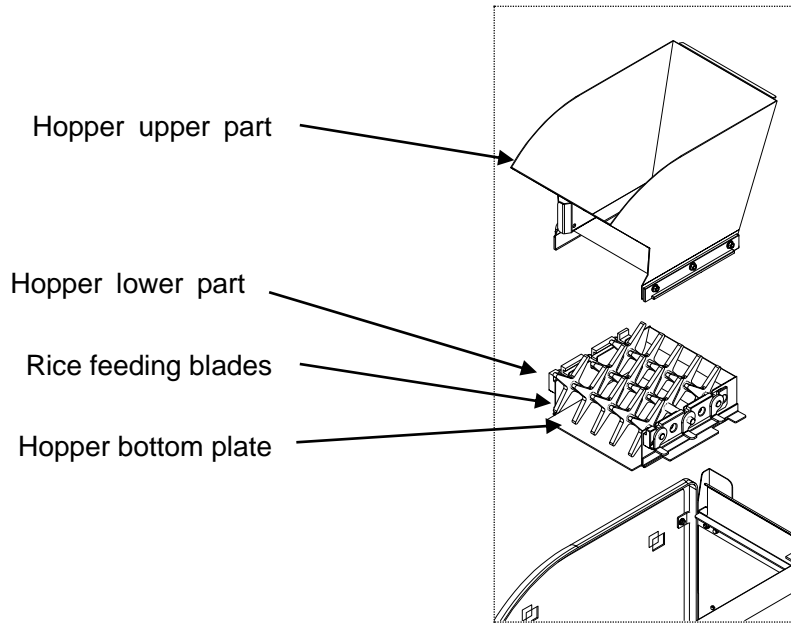
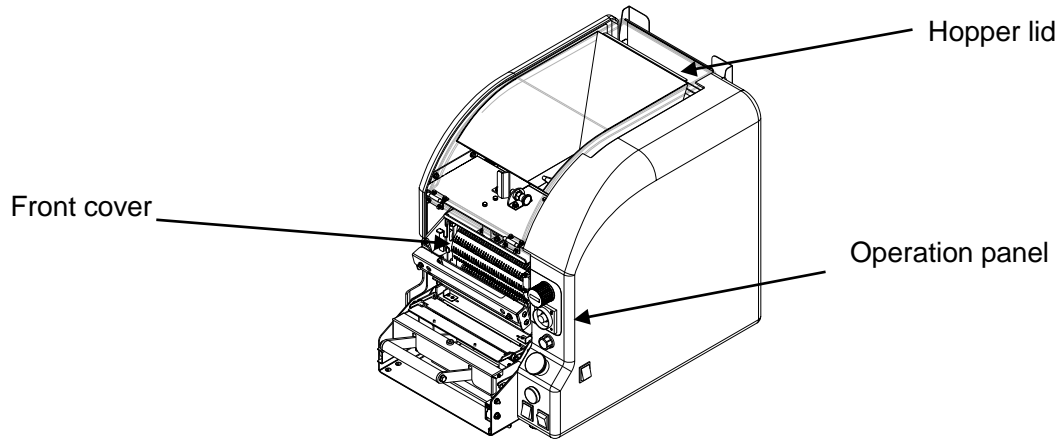
 **Caution:** Improper handling may result in death or severe injury.

<p>Use it under the supervision of a person who understands machinery management.</p> <p>● Using without proper understanding may cause an injury or an accident.</p> <p style="text-align: right;"> Understand</p>	<p>Hold firmly when transferring or transporting it.</p> <p>● The machine may drop causing an Injury or an accident.</p> <p style="text-align: right;"> Hold firmly</p>
<p>Do not touch the built-in heater.</p> <p>● It may result in a burn.</p> <p style="text-align: right;"> Prohibited</p>	

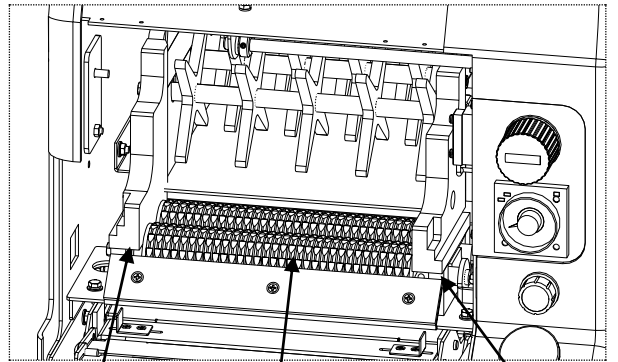
 **Caution:** Improper handling may result in failure of the machine or damage to buildings and household effects.

<p>Do not wash the Teflon coated machine parts with a hard brush or hard sponge.</p> <p>● It may cause peeling of the Teflon coating.</p> <p style="text-align: right;"> Prohibite</p>	<p>Do not damage parts.</p> <p>● It may prevent the normal Assembly of parts and cause problems.</p> <p style="text-align: right;"> Prohibited</p>
<p>Wipe off any oil or fat sprayed on the machine main body other than the removable parts.</p> <p>● It may result in deterioration or the breakage of parts.</p> <p style="text-align: right;"> Wipe off</p>	<p>Install the machine at a solid and flat location</p> <p>● A fall of the machine may damage the machine itself or the building or cause an injury or an accident.</p> <p style="text-align: right;"> Install horizontally</p>
<p>Do not wash the removed resin or plastic parts in a dishwasher or in hot water.</p> <p>● It may deform or damage the parts.</p> <p style="text-align: right;"> Prohibited</p>	<p>Firmly hold when transferring or transporting the machine.</p> <p>● A fall of the machine may damage the machine itself or the building.</p> <p style="text-align: right;"> Firmly hold</p>

Part Names

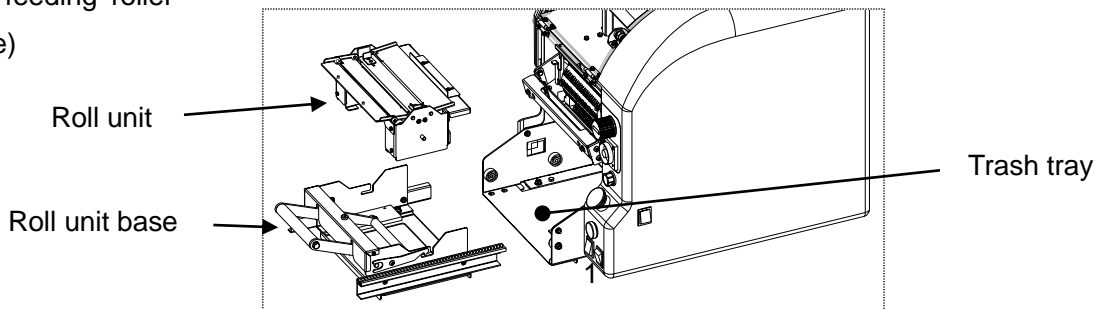


Cutter stand plate Rice sheet cutter



Side plates Rice feeding rollers (small) Side plates

Rice feeding roller (large)



Disassembly



Be sure to turn off the **POWER** switch when removing/attaching parts.

Never insert your hand into the hopper while the power is on. Otherwise your hand may get caught in the roller and seriously injured.

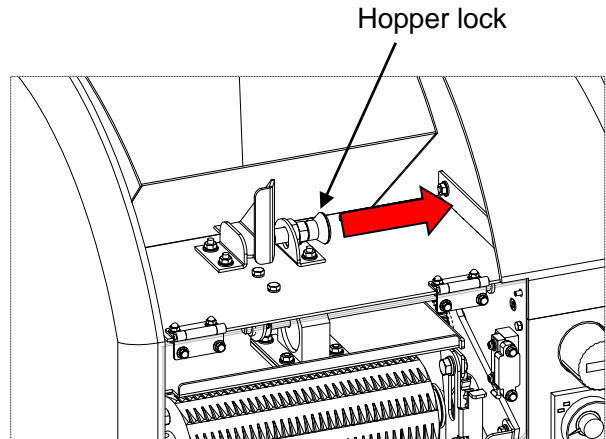
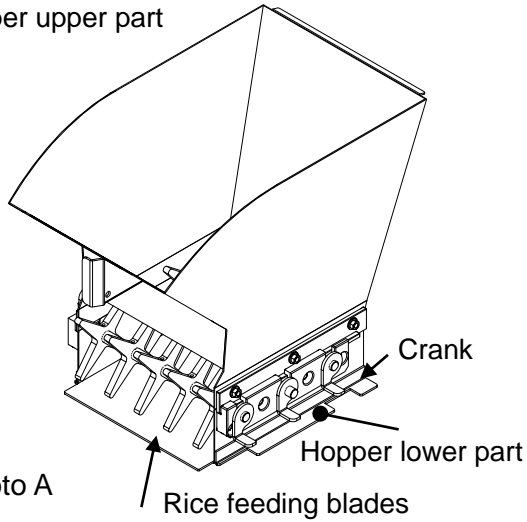


Avoid washing any removed part with a metal brush or a hard sponge to prevent damage to the Teflon coating.

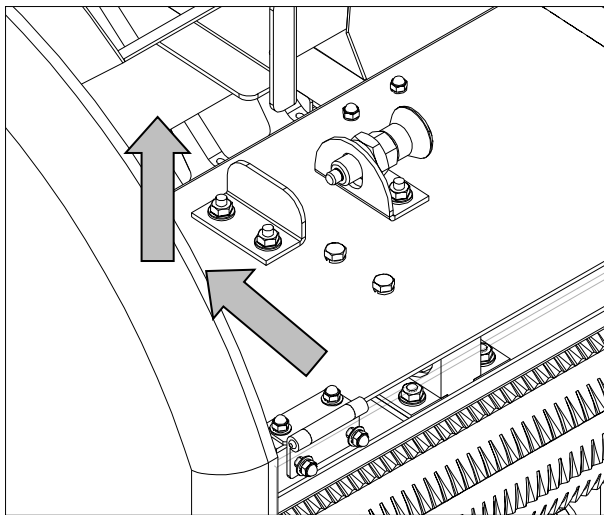
Avoid washing any removed part in a dishwasher to prevent deformation and damage.

How to remove the hopper

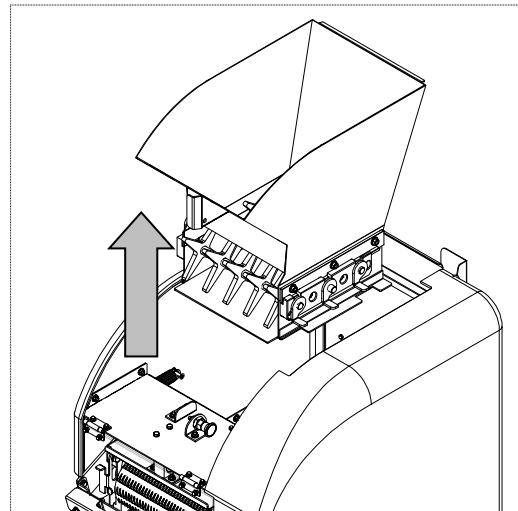
Hopper upper part



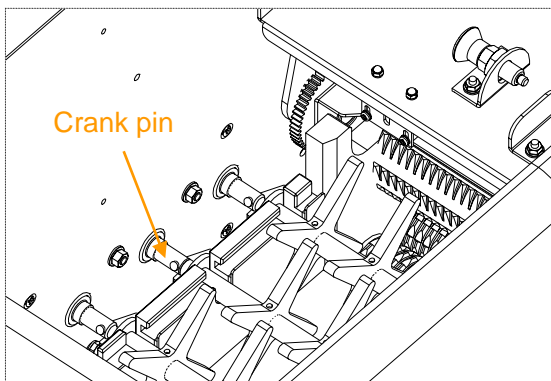
(1) Release the hopper lock.



(2) Slide the hopper backward by approx. 2cm.



(3) Remove the hopper upward from the main body, while holding its front and rear sides.



*When you cannot remove it, the crank (Photo A) is caught on the crank pin (Photo on the left); slightly rotate the rice feeding blades to remove the hopper.

Disassembly

Danger

Be sure to turn off the **POWER** switch when removing/attaching parts.

Never insert your hand into the hopper while the power is on. Otherwise your hand may get caught in the roller and seriously injured.

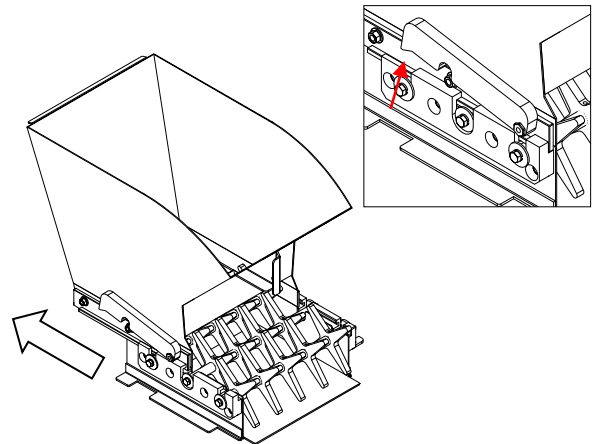
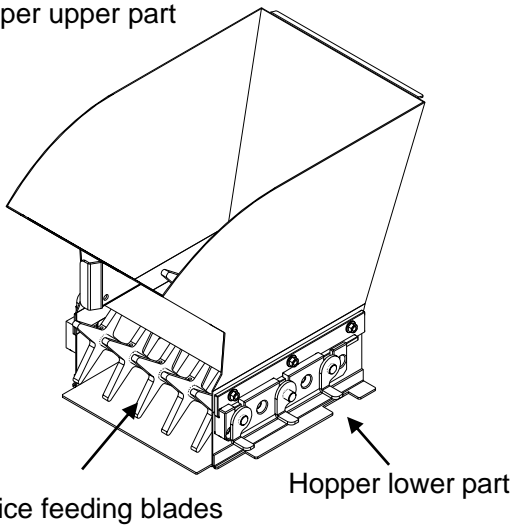
Caution

Avoid washing any removed part with a metal brush or a hard sponge to prevent damage to the Teflon coating.

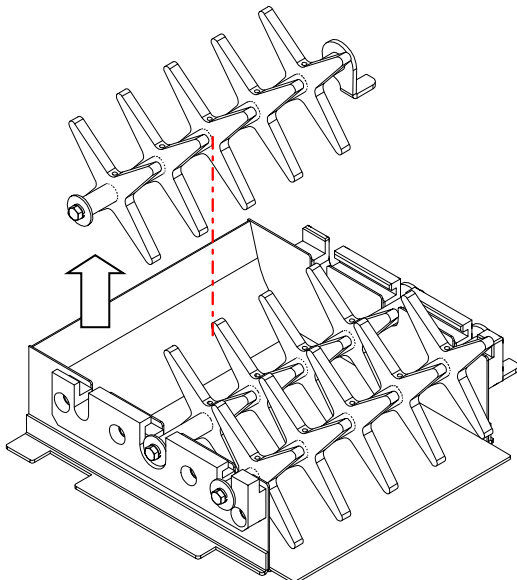
Avoid washing any removed part in a dishwasher to prevent deformation and damage.

How to remove the hopper upper/lower parts, the bottom plate and the rice feeding blades

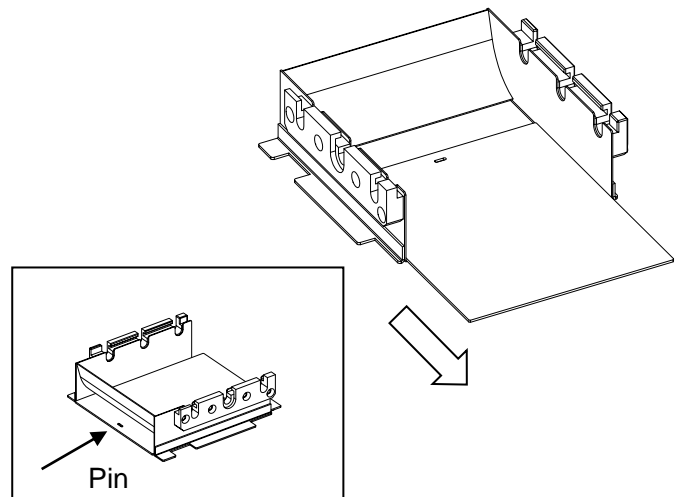
Hopper upper part



(1) Slide the hopper upper part backward and remove it from the hopper lower part.



(2) Remove the three rice feeding blades upward.



(3) Remove the hopper bottom plate from the hopper lower part.

* The pin of the hopper lower part is inserted in the hole at the rear of the base bottom plate; slightly lift the plate and remove it forward.

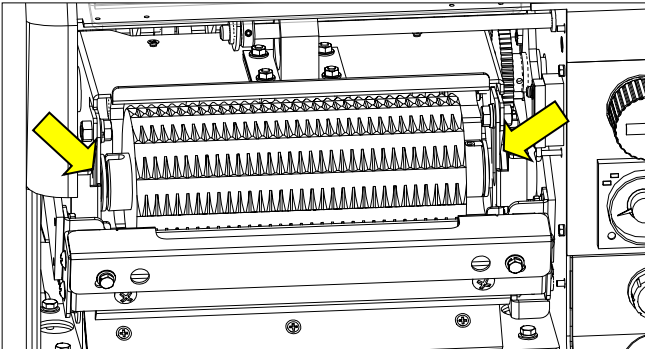
Disassembly



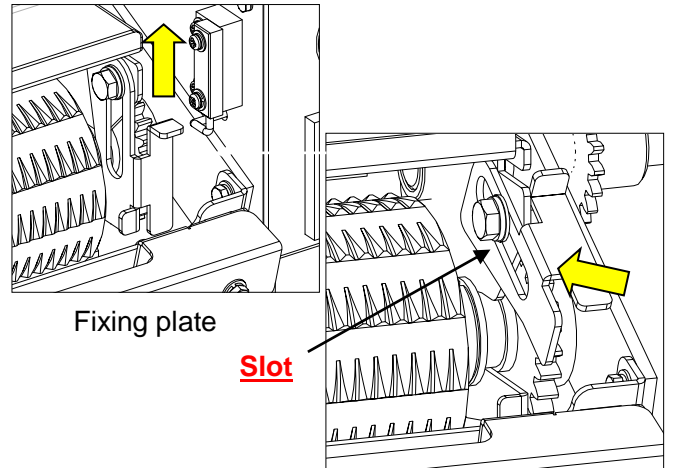
Be sure to turn off the **POWER** switch when removing/attaching parts.

Never insert your hand into the roller while the power is on. Otherwise your hand may get caught and seriously injured.

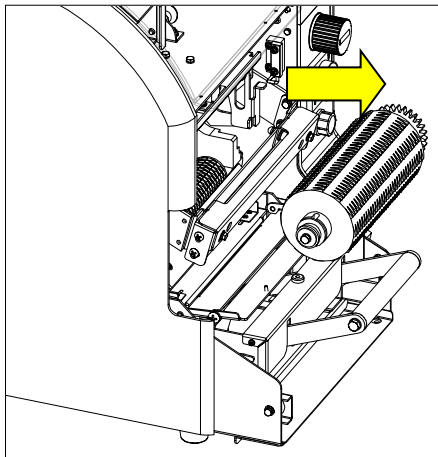
How to remove the rice feeding roller (large) and the side plates



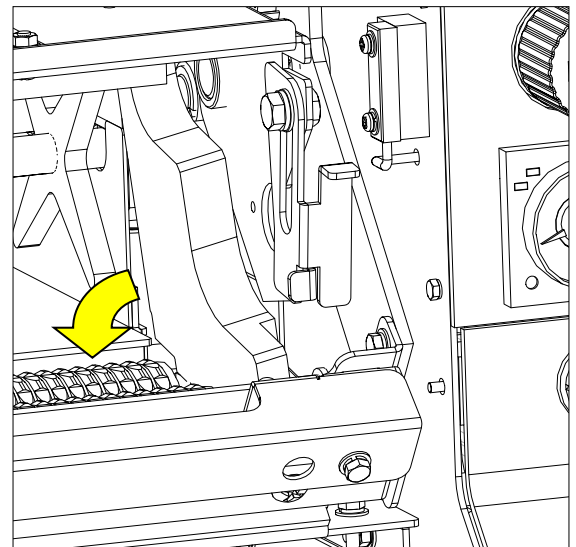
- (1) Open the front cover upward and lift the knobs (marked by the arrows) to unlock the fixing plates.



- (2) Insert the right and left unlocked fixing plates in the upper slots.



- (3) Holding the roller center, remove the roller from the main body.



- (4) Push down the right and left side plates to remove.

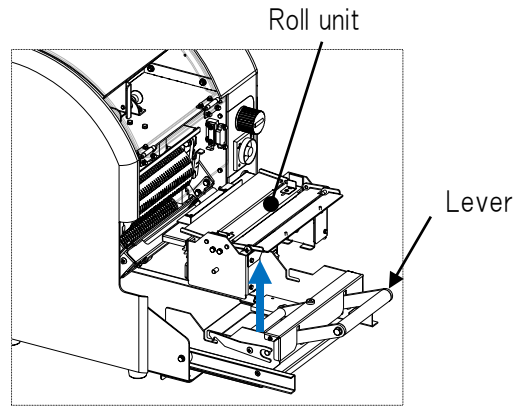
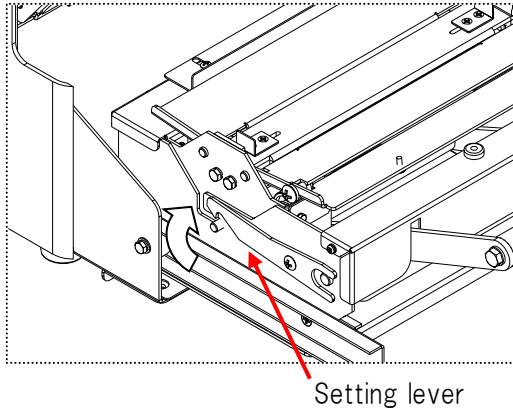
*** When the front cover is open, the machine does not operate even if the power is on.**

Disassembly

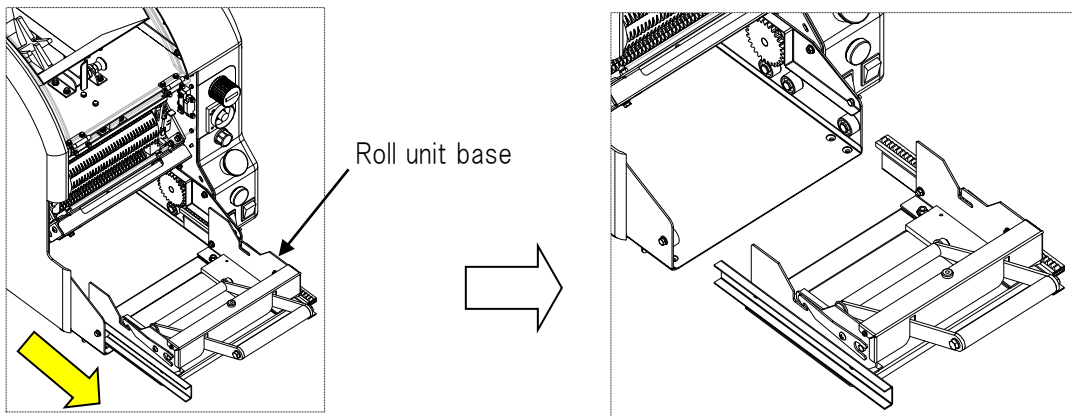


Be sure to turn off the **POWER** switch when removing/attaching parts.
Never insert your hand into the roll unit while the power is on.
Otherwise your hand may get caught and seriously injured.

How to remove the roll unit



- (2) Lift the left and right ends of the setting lever, slide the entire roll unit forward, and then lift the roll unit upward.
- (3) The roll unit disengages from the roll unit base.
- (4) To reinstall the roll unit, place the roll unit onto the roll unit base with the lever up and pull forward, the roll unit will set automatically.



- (1) Pull the roll unit base in the arrow direction to remove.



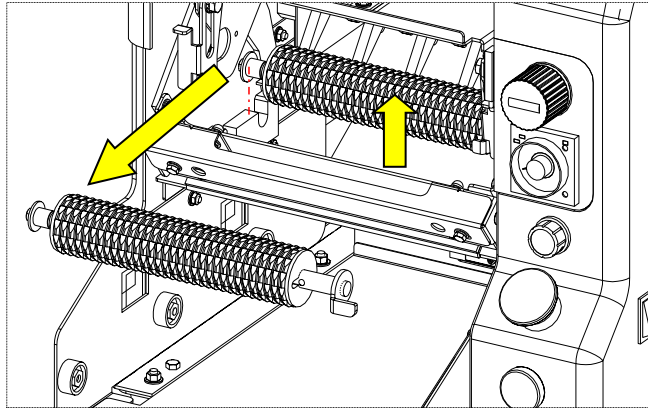
Avoid washing any removed part with a metal brush or a hard sponge to prevent damage to the Teflon coating.
Avoid washing any removed part in a dishwasher to prevent deformation and damage.

Disassembly / Assembly



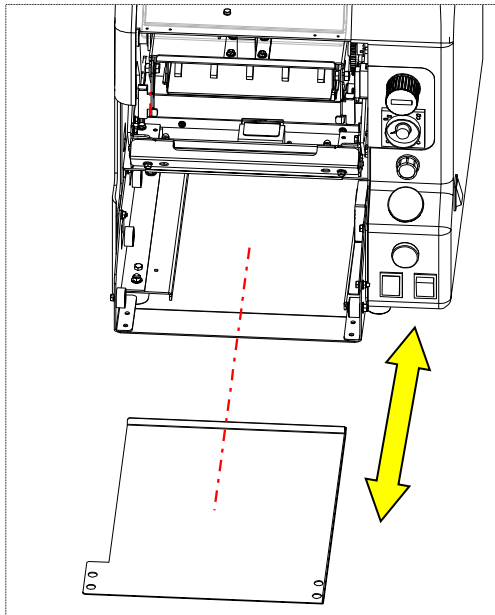
Be sure to turn off the **POWER** switch when removing/attaching parts.
Never insert your hand into the roller while the power is on.
Otherwise your hand may get caught and seriously injured.

How to remove the rice feeding rollers (small)



- (1) Push up each rice feeding roller (small) to remove.

How to remove the trash tray



How to remove

Pull the trash tray in the arrow direction to remove.

How to attach

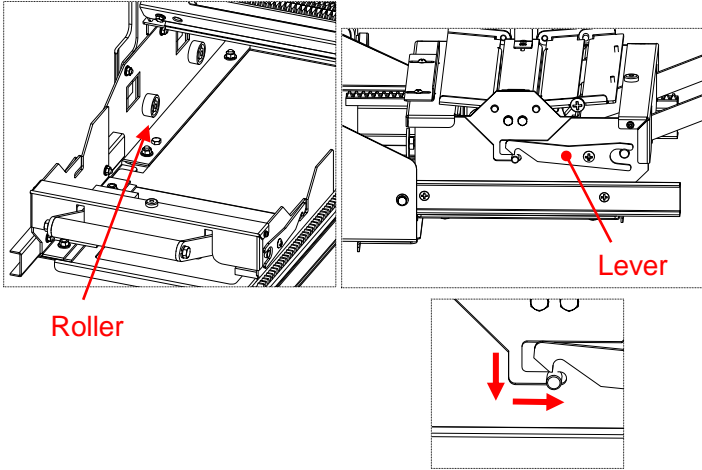
Fully insert the trash tray in the main body.

Assembly



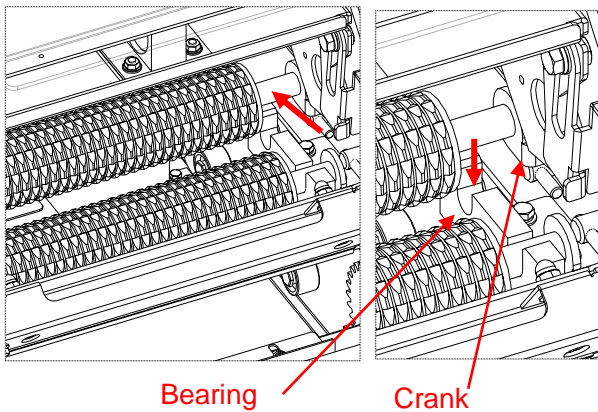
Be sure to turn off the **POWER** switch when removing/attaching parts to prevent injuries and accidents.

How to attach the roll unit base and the roll unit



- (1) Fully insert the roll unit base into the roller on the right and left of the main body.
- (2) To reinstall the roll unit, place the roll unit on to the roll unit base with the lever up and pull forward, the roll unit will set automatically.

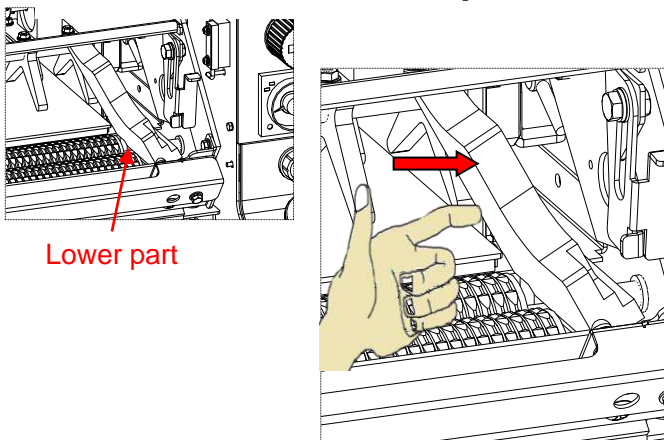
How to attach the rice feeding rollers (small)



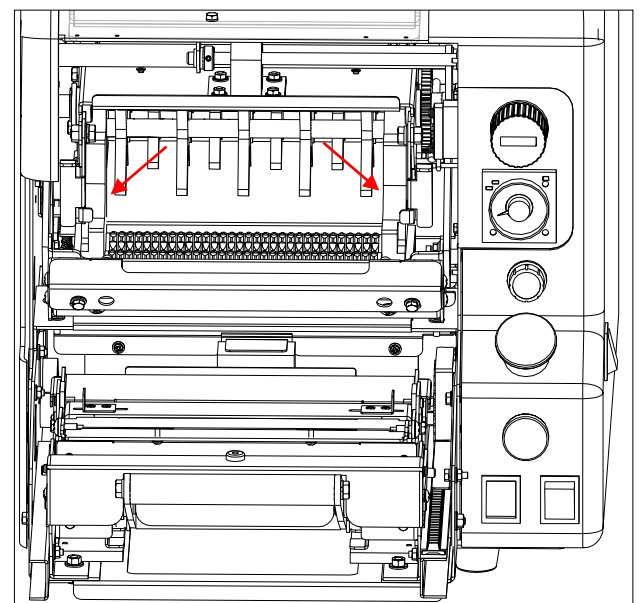
Attach the rice feeding rollers (small) onto the bearing of the main body.

* Place the crank (attached to the roller) on the right.

How to attach the side plates



- (1) Insert the lower part of each side plate in the side of the rice feeding roller (small) and press the upper part.



- (2) Attach the right and left side plates in the same way.

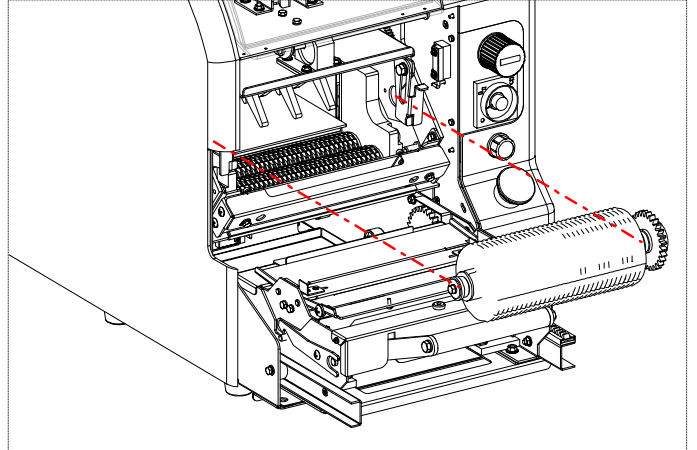
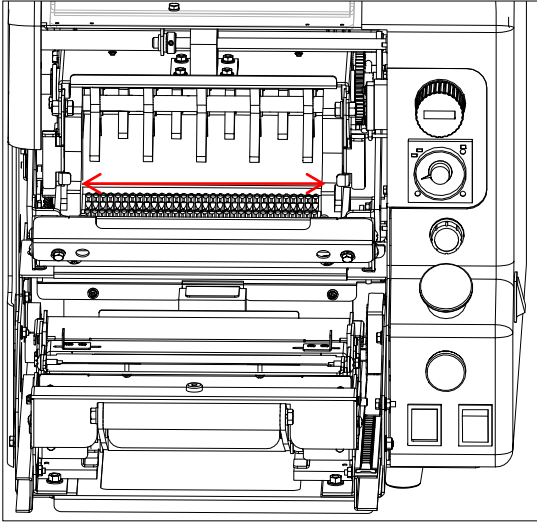
* Be careful not confuse the right and the left.

Assembly

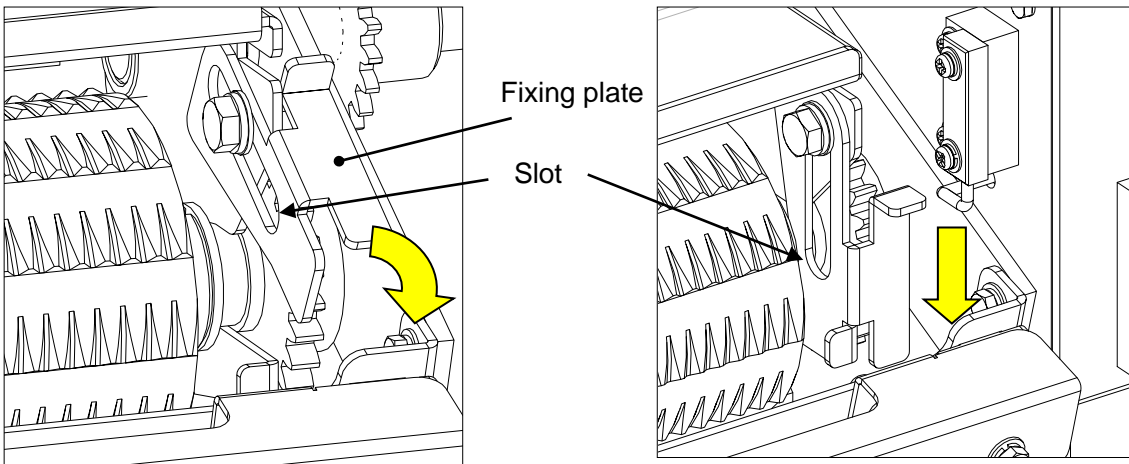


Be sure to turn off the **POWER** switch when removing/attaching parts.
Never insert your hand into the roller while the power is on. Otherwise your hand may get caught and seriously injured.

How to attach the rice feeding roller (large)



(1) Insert the rice feeding roller (large) between the right and left side plates.



(2) Pull and press down the right and left fixing plates and then insert them into the slots.

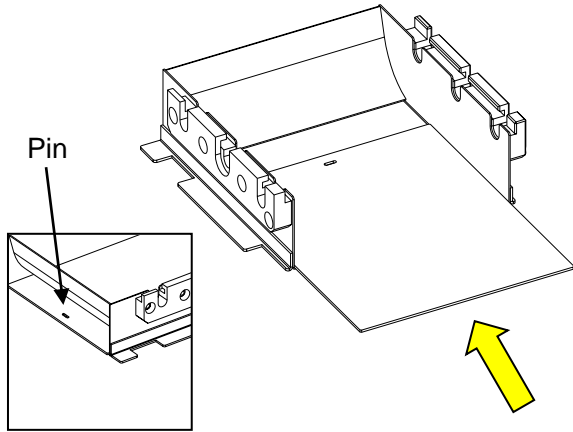
● Fully insert the rice feeding roller (large). Otherwise you cannot insert the fixing plates in the slots.

Assembly

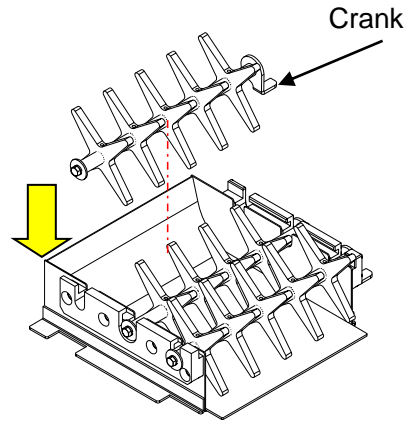


Be sure to turn off the **POWER** switch when removing/attaching parts.
Never insert your hand into the hopper while the power is on. Otherwise your hand may get caught in the roller and seriously injured.

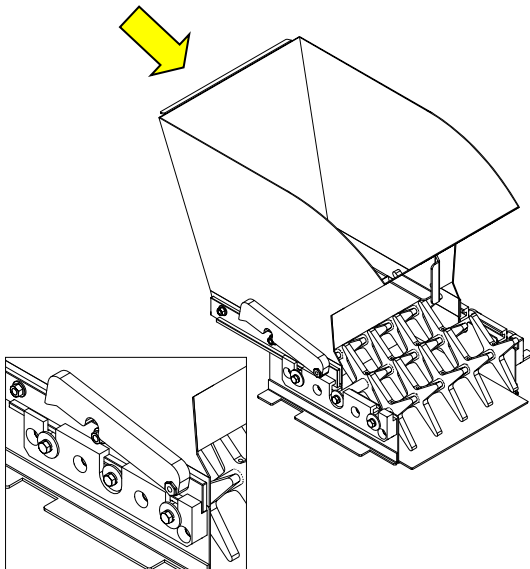
How to attach the hopper upper/lower parts, the hopper bottom plate and the rice feeding blades



- (1) Fully insert the hopper bottom plate into the hopper lower part.
* Fit the pin on the hopper lower part into the hole on the bottom plate.



- (2) Attach the three rice feeding blades.
Front and rear : Five-blade type
Center: Four-blade type
* Place the crank on the right side.



- (3) Fully insert the hopper upper part in the hopper lower part from the rear.

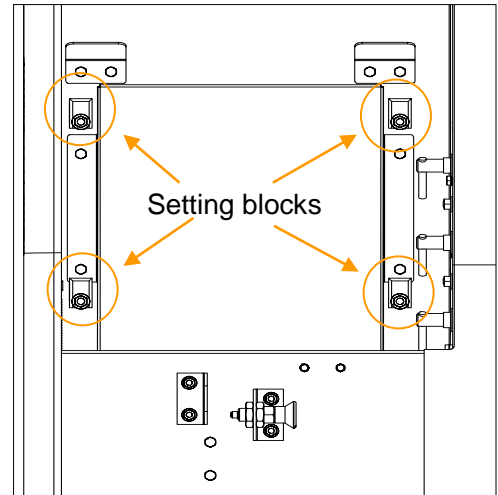
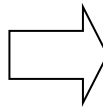
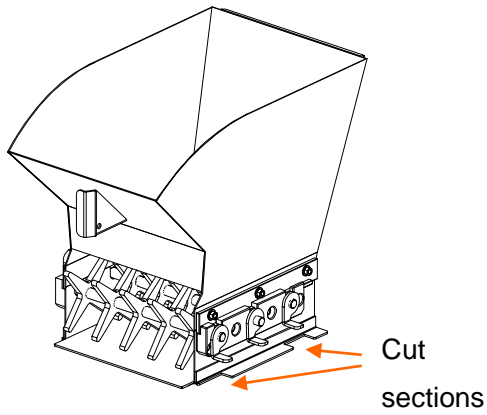
Assembly



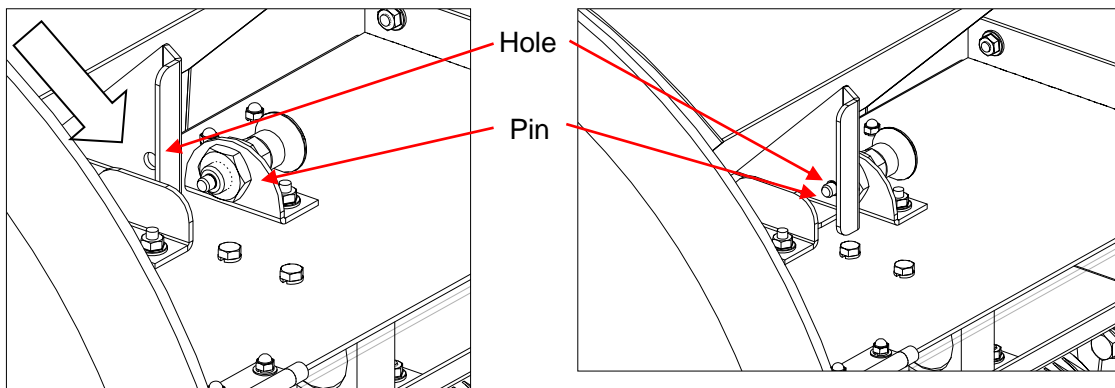
Be sure to turn off the **POWER** switch when removing/attaching parts.

Never insert your hand into the hopper while the power is on. Otherwise your hand may get caught in the roller and seriously injured.

How to attach the hopper



- (1) Fit the cut sections (on the right and left) on the hopper lower part with the setting blocks on the main body and place the hopper horizontally.



- (2) Pull the hopper to insert the pin into the hole.

* Securely fit the setting blocks into the cutting section. Otherwise you cannot insert the pin into the hole.

Disassembly/Assembly Procedure



Be sure to turn off the POWER switch when removing/attaching parts to prevent injuries and accidents.

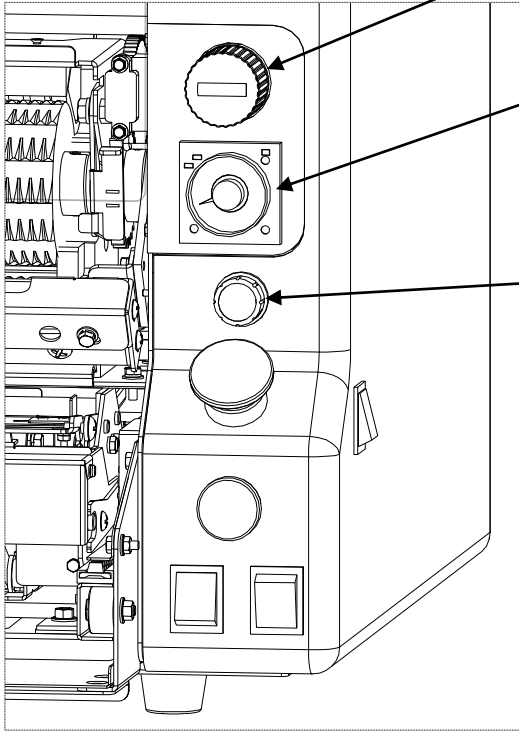
Disassembly procedure

- (1) Remove the hopper lid.
- (2) Remove the hopper from the main body.
 - * Then disassemble the hopper into the hopper upper/lower parts, the hopper bottom plate and the rice feeding blades.
- (3) Remove the rice feeding roller (large).
- (4) Remove the side plates. *For the normal-wide combination type, remove the roller guides as well.
- (5) Remove the roll unit and the roll unit base.
- (6) Remove the rise feeding rollers (small).
- (7) Remove the trash tray.

Assembly procedure (*Before assembly, be sure to lower the rice sheet cutter.)

- (1) Attach the trash tray.
- (2) Attach the roll unit base and the roll unit.
- (3) Attach the rice feeding rollers (small).
- (4) Attach the side plates. *For the normal-wide combination type, attach the roller guides as well.
- (5) Attach the rice feeding roller (large).
- (6) Assemble the hopper upper/lower parts, the hopper bottom plate and the rice feeding blades. Then attach the hopper.
- (7) Attach the hopper lid.

Operation Panel



■ THICKNESS

Turn the dial clockwise to increase the rice thickness; turn it counterclockwise to decrease the thickness.

■ LENGTH

Turn the dial clockwise to increase the rice sheet length; turn it counterclockwise to decrease the length.

* Rice sheet length: Within 18 cm

■ DENSITY

This dial works with the rice feeding blades in the hopper; turn it to "THICK" to increase the blade rotation speed. The rice amount to be fed to the roller is increased.

When the rice is fed loosely, turn the dial to "THICK"; when fed thick and pressed, turn it to "THIN". Turn the dial by half scale at a time.

- Normally, set the dial to "5" for small sushi rolls; "6" for medium rolls; and "7" for large rolls.

■ START

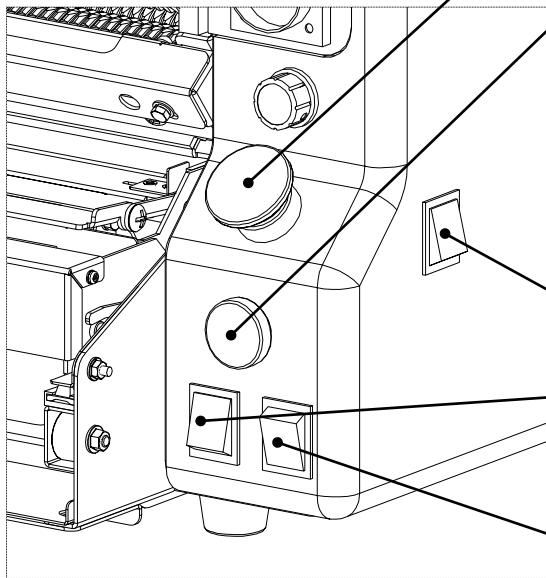
Press the button to start one operation.

■ EMERGENCY STOP

Press the red button to stop the machine immediately.

To activate the machine again, turn the red button clockwise.

The button pops out and the lock is released.



■ POWER

To turn on/off the power.

■ RICE CUT

Set the switch to "ON" to raise the cutter; set it to "OFF" to lower the cutter.

■ WARMER (INSULATE)

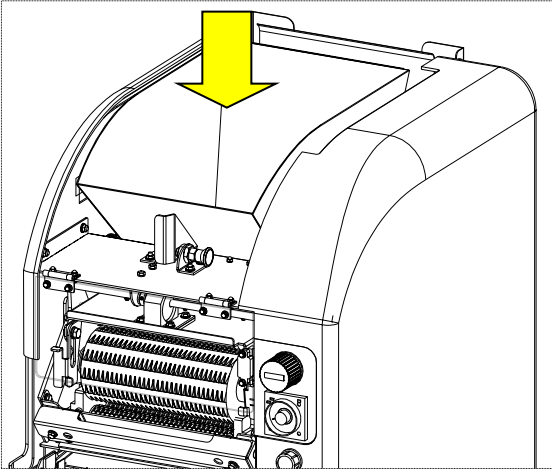
Set the switch to "ON". Then the heater on the base plate of the hopper lower part turns on to keep the rice warm.

Important

Although the heater keeps the rice warm (approx. 35°C) for a certain time, the rice gradually gets cold with time.

Never warm the cold rice again to prevent rot and deterioration

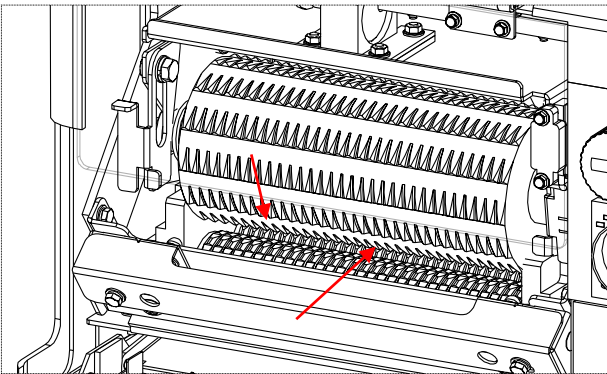
Applying Oil before/during Use



- (1) Spray oil in the hopper and onto the rice feeding blades.

Danger

Never insert your hand in the hopper to prevent danger.

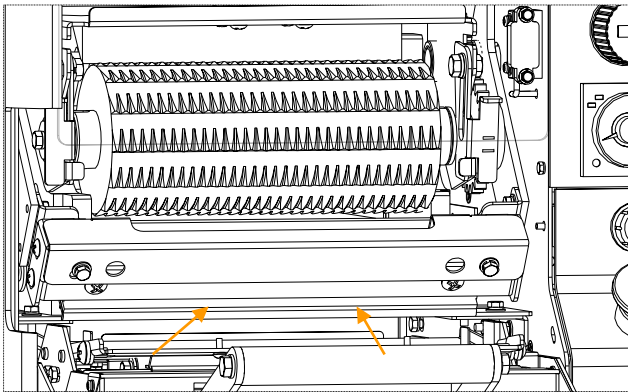


- (2) Remove the rice feeding rollers (large and small) before use. Apply the oil once sprayed onto your palm to the rollers.

* If you fail to apply the oil:

- a. The rice sheet may be rolled toward the roller (large).
- b. The rice may get caught in the rice sheet cutter.
- c. The rice may be fed loosely.
- d. The length of the rice sheet may become shorter.

© In the above cases, follow the procedure (2) above to remove the rice adhering to the rollers (large and small).



- (3) Before use, apply the oil once sprayed onto your palm to the rice sheet cutter and the cutter stand plate.

* If you fail to apply the oil:

- a. The rice may get caught in the cutter.
- b. The rice may not be smoothly placed on the sliding table.
- c. The rice sheet cutter may become blunt.

Danger

Never insert your hand into the hopper while the power is on. Otherwise your hand may get caught in the roller and seriously injured.

Operation Procedure

- (1) Check that the EMERGENCY STOP button is not pressed.
 - (2) Turn on the POWER switch. If necessary, turn on the “WARMER” switch to operate the heater.
 - (3) Put sushi rice into the hopper.
 - (4) Set the THICKNESS dial.
 - (5) Set the LENGTH dial.
 - (6) Set the DENSITY dial.
 - (7) Press the START button to idle the machine two or three times.
 - (8) When the rice is in place, set nori(dried seaweed) on the roll unit.
 - (9)The flattened sushi rice comes out on the nori. Place the center ingredients, Press down the roll unit lever and lift it back to complete the sushi roll.
- Before use, spray oil in the hopper.
Apply oil to the rice feeding rollers (large and small), the rice sheet cutter and the cutter stand.
 - * After installation, be sure to apply oil to the parts of the machine.
 - * In some cases, you may not have to apply oil to the parts.
 - * If the rice adheres to the parts, apply oil.
 - When the sushi rice amount in the hopper gets low, the alarm sounds; for continuous operation, supply sushi rice in the hopper.
The alarm does not stop automatically; when not adding sushi rice, press the EMERGENCY STOP button.

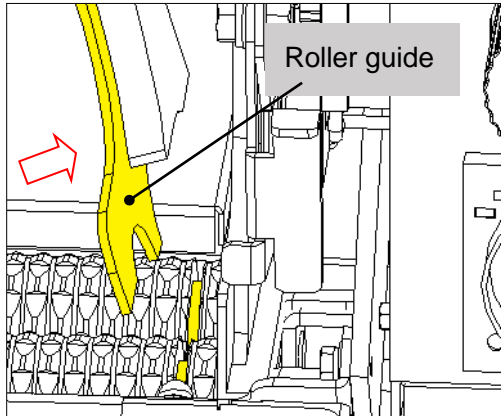
Normal/Wide Switching Method (for the normal-wide combination type)



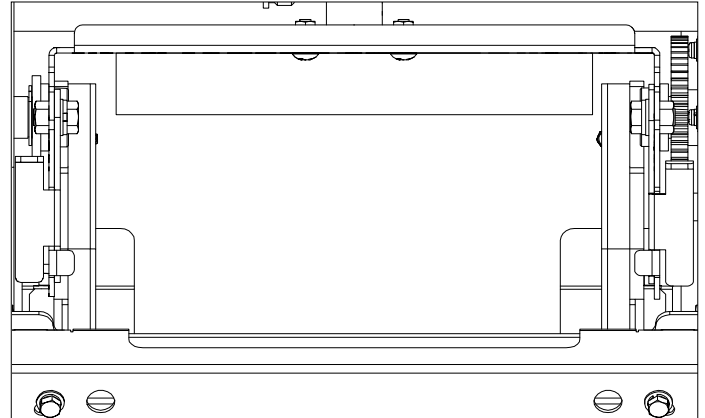
Be sure to turn off the **POWER** switch when removing/attaching parts.

Never insert your hand into the hopper while the power is on. Otherwise your hand may get caught in the roller and seriously injured.

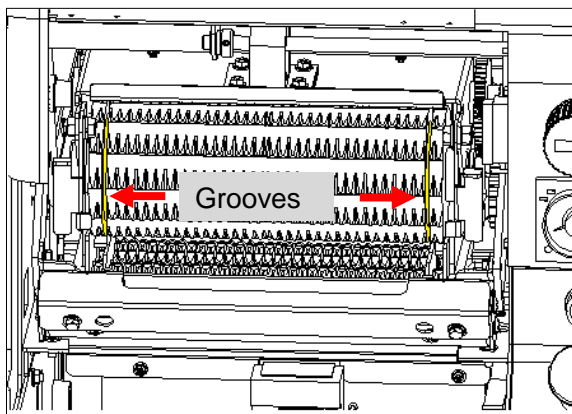
● Normal type (Set the right and left roller guides.)



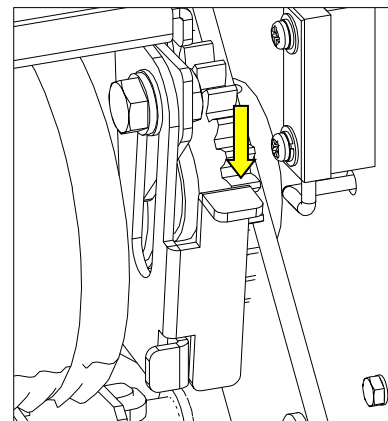
(1) Insert the roller guide lower parts in the grooves of the roller (small).



(2) The roller guides are set.



(3) Fully insert the roller guides in the right and left grooves of the roller (large).



(4) Set the plates on the right and left sides of the roller (large).

● Wide type (Remove the right and left roller guides)

- Be sure to turn off the **POWER** switch for safety to remove the parts.

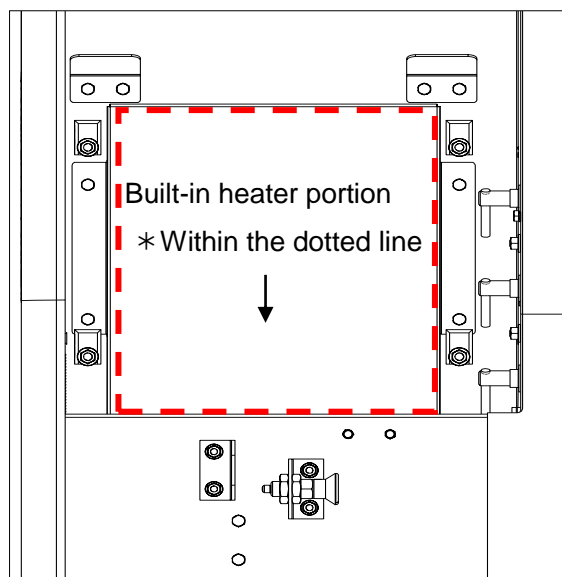
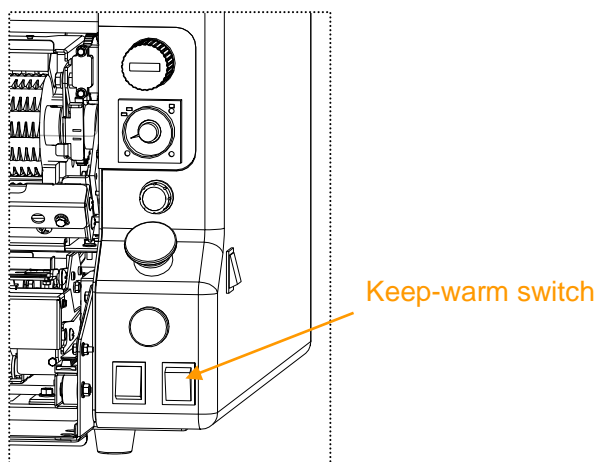
Normal/Wide switching during operation

- When switching from “Normal” to “Wide”, remove the roller (large). Then remove the right and left guides from the rollers (small) while leaving the rice remaining on the rollers (small).
- When switching from “Wide” to “Normal”, remove the roller (large). Then remove the rice remaining on the roller (small) and set the right and left roller guides.

Keep-warm Heater



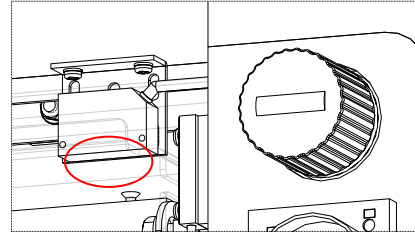
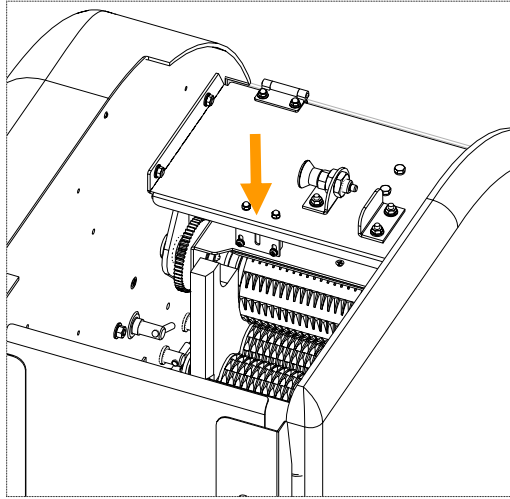
Be careful not to directly touch the built-in heater portion with your hands as it becomes very hot.



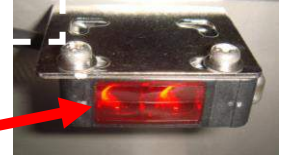
- ① Turning the WARMER (INSULATE) switch ON turns ON the built-in keep-warm heater.

* It takes about five minutes until it becomes completely warm.

Sensor



Sensor lens



(1) The sensor for the rice feeding blades in the hopper is installed at the main body (as shown by the arrow in the photo).

* The sensor detects the amount of the rice remaining on the rear part of the rice feeding roller (large). When the amount decreases, the rice feeding blades automatically rotates to maintain a constant amount of the rice.

(2) The sensor emits light downward through the red lens.

* Detecting rice or dirt adhering to the lens, the sensor stops rice feeding automatically; wipe the lens every day to keep it clean.

Never pour water or spray oil onto the sensor.



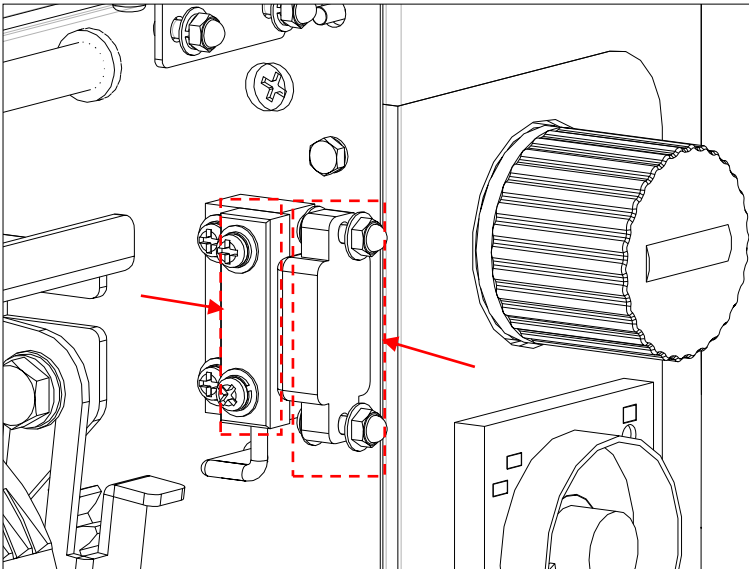
If oil, rice, etc. adhere to the red lens, malfunctions may occur, causing rotation of the rice feeding blades to stop.

Wipe the red lens with wet cloth.

Safety Switch



Be sure to turn off the **POWER** switch when removing/attaching parts to prevent injuries and accidents.



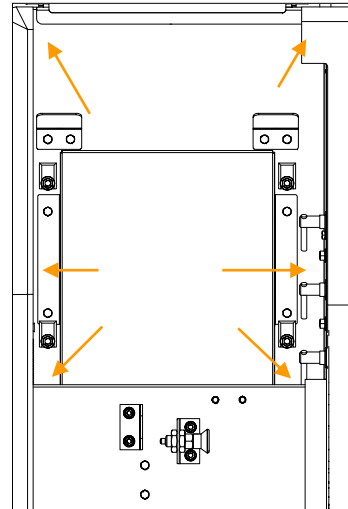
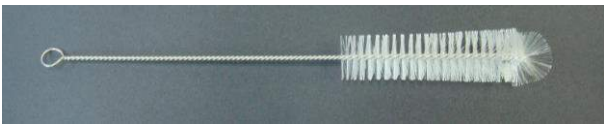
- ① When you open the front cover, the safety switch disables the machine to start up.

Cleaning Manual



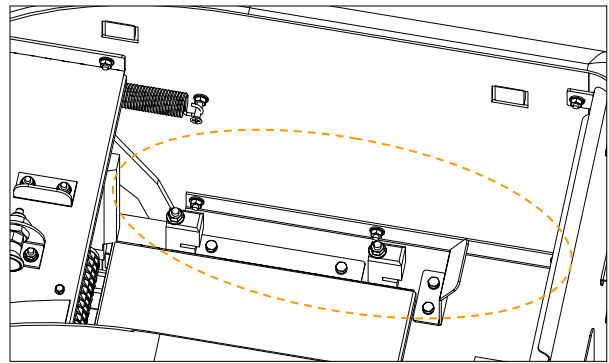
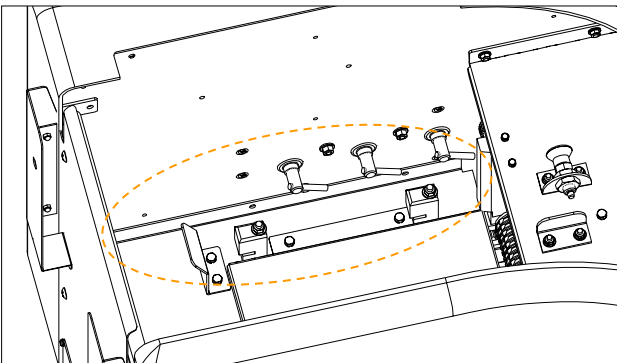
Be sure to turn off the **POWER** switch when cleaning the parts of the main body.
Otherwise your hand may get caught in the roller and seriously injured.
Never clean the main body with water to avoid electric shock and failure.

Hopper installation area



(1) Clean the parts with the provided brush.

(2) Clean the hopper installation area (marked by the arrows) on the main body with the provided brush.

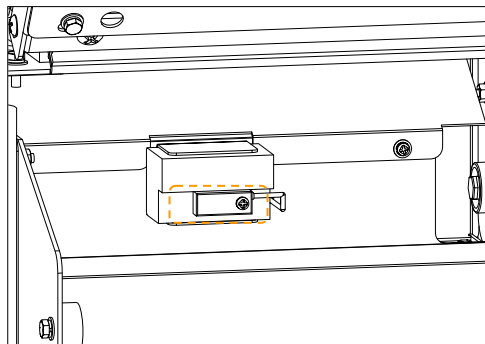
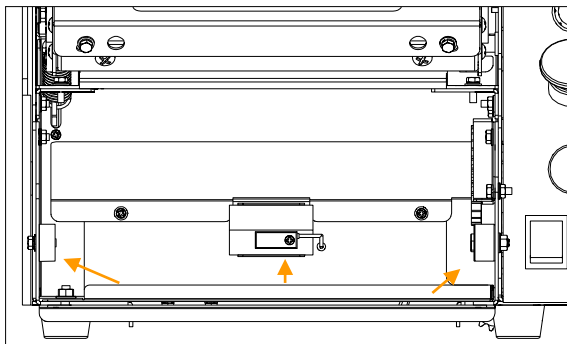


Cleaning Manual



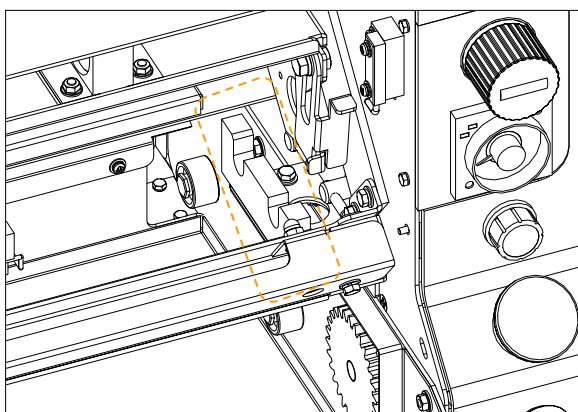
Be sure to turn off the POWER switch when cleaning the parts of the main body.
Otherwise your hand may get caught in the roller and seriously injured.
Never clean the main body with water to avoid electric shock and failure

Body



The Clean (marked by the arrows) with the provided brush.

Rice feeding rollers (small)



Clean the rice feeding roller (small) installation area (right and left) with the provided brush.

Circuit Protector

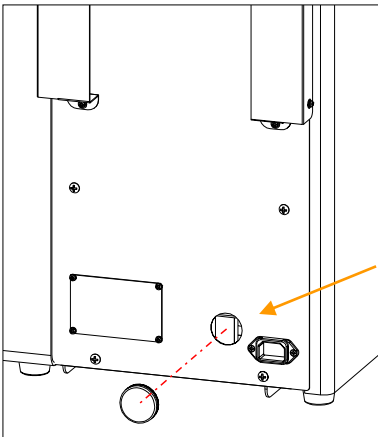


When maintaining the machine, be sure to turn off the **POWER** switch to prevent electric shocks and injuries.

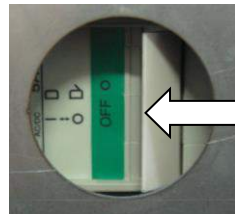
How to restore the circuit protector

For safety and protection of the machine, a circuit protector is installed on the back side of the main body.

When abnormal current flow or electric leakage occurs, the circuit protector functions to turn off the power; follow the procedures below to restore the protector.



(1) Turn off the **POWER** switch and remove the black rubber cap on the back side of the main body.



(2) If the circuit protector is off, press the position marked by the arrow to turn it on.



(3) After turning on the protector, turn on the **POWER** switch again.

* If the circuit protector often turns off, please consult with your distributor.

Part Replacement

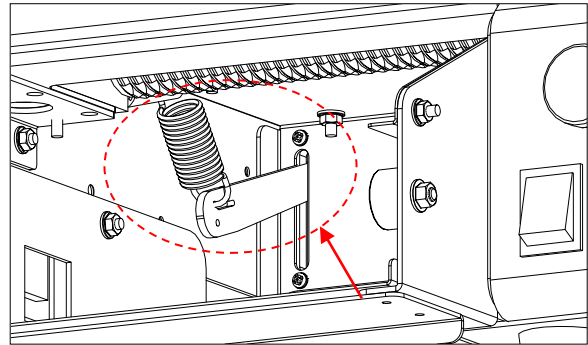
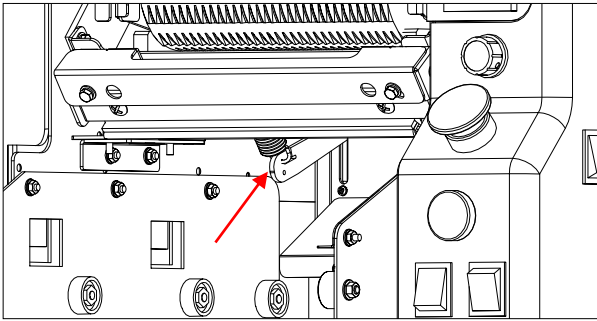


When replacing parts, be sure to turn off the **POWER** switch to prevent electric shocks, injuries or accidents.

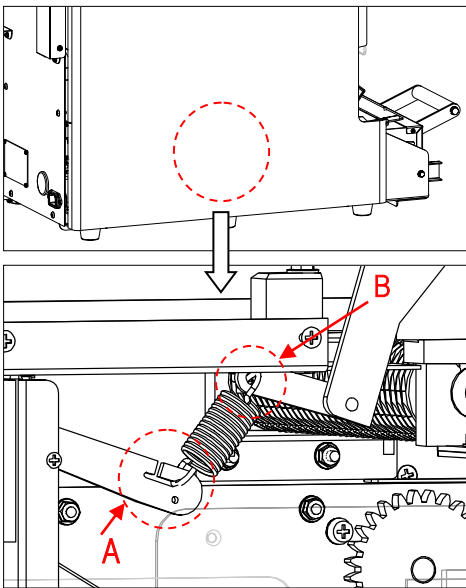
Rice sheet cutter spring

* For safety, a spring is built in the rice sheet cutter.

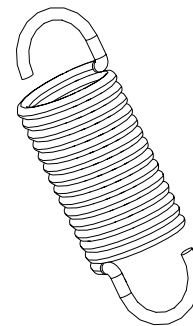
When the spring is broken, the cutter does not operate; replace the spring with a new one by the following procedure.



(1) The spring is attached to the left side of the main body (marked by the arrow).



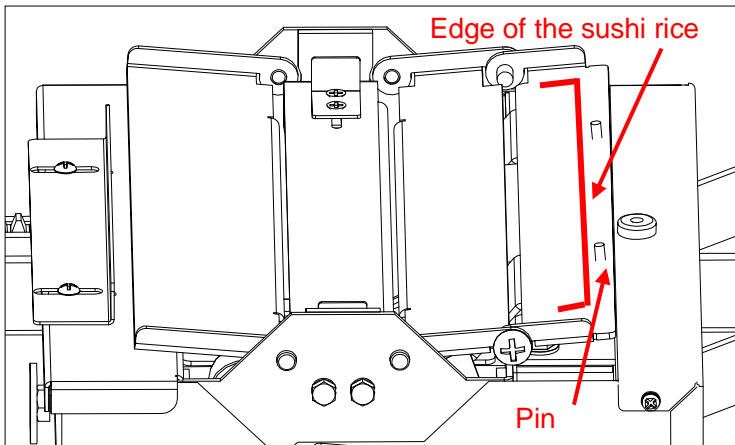
(2) Remove the broken spring located between "A" and "B". Then hang hooks of a new spring on "A" and "B".



Rice sheet cutter spring

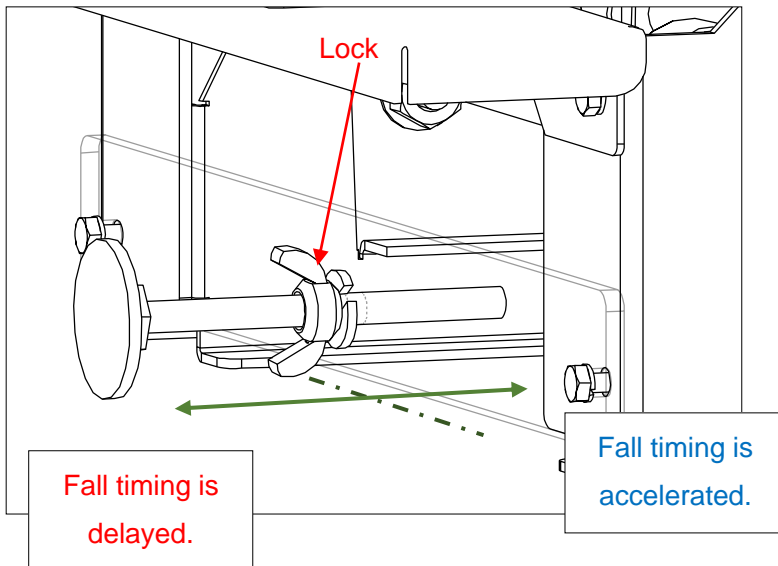
* One spare spring is provided in the kit. If necessary, please order spare springs from your distributor.

Making the perfect sushi roll...



The adjustment should be performed such that the sushi rice will fall 5 mm behind the pin.

If the margin is other than 5 mm, follow the instructions below for simple adjustment.



Adjustment of the rice fall position
Loosen the lock and turn the round plate in the desired direction.

After the adjustment has been completed, retighten the lock.

Troubleshooting

1. Power is not turned on. (The POWER switch does not light up.)

- Check that the power cord is securely plugged into the outlet.
- Check that your breaker is not thrown.
- Check that the circuit protector is turned on. ***See Page 22.**

2. The machine does not operate when the POWER switch lights up.

- Check that the red EMERGENCY STOP button is not pressed down. ***See Page 13.**
- Due to continuous use of the machine for long hours, the high-temperature shut-off function installed in the main body may operate; turn off the POWER switch and after a while start the machine again.
- Check that the front cover is closed. ***See Page 1.**

3 The rice sheet cutter repeats up-and-down movements.

- Press the EMERGENCY STOP button to stop the machine.

4. Rice gets caught in the rice sheet cutter and the cutter stand plate.

- Apply oil to the rice sheet cutter and the cutter stand plate. ***See Page 14.**

5. The rice flows separately or in short length.

- Remove the rice feeding rollers (small) from the main body and clean them with water. Then apply oil to the rollers and attach them to the main body. ***See Page 14.**

6. Rice turns back to the rice feeding roller (large).

- Remove the rice feeding roller (large) from the main body and clean it with water. Then apply oil to the roller and attach it to the main body. ***See Page 14.**

7. The rice feeding blades in the hopper do not rotate.

- Check that the DENSITY dial on the operation panel is not set to "0". ***See Page 13.**
- Check that the lens of the sensor for the rice feeding blades is clean. ***See Page 18.**

8. The rice sheet cutter does not move down.

- The spring of the safety device is broken; replace it with a new one. ***See Page 23.**

9. Even if the rice sheet length timer is set, rice does not stop flowing or only a small amount of rice is supplied.

- The timer (LENGTH) is defective due to humidity or splashed water; replace it with a new one.